

Halo Comfort Series

Just For Comfort



Comfort Just For Comfort

In ancient times, there was a God's Family who believed in the truth that everything must co-exist in perfect harmony. Successive patriarchs were all called eKeRi Goddesses. Goddess led the people dedicated themselves into the balance between the rules and chaos & brightness and darkness to seek coexistence in harmony for all things, from which the **Wk_{LED}** lighting engineer inspire. They incorporate indirect lighting into direct lighting design techniques and minimize the anti-glare value via optical design. Finally they developed the unique quadruple anti-glare (UGR<16) design hotel lighting fixture integrating BLACK LIGHT, HIDE LIGHT, AGGLOMERATE LIGHT and FILTER LIGHT. The new design is named after **Wk_{LED}** possessing a variety of installation methods and hundreds of function configuration. **Wk_{LED}** is exclusively designed to balance between direct lighting and indirect lighting, balance between lighting applications and space integration to maximize the comfort value and create comfortable hotel lighting.

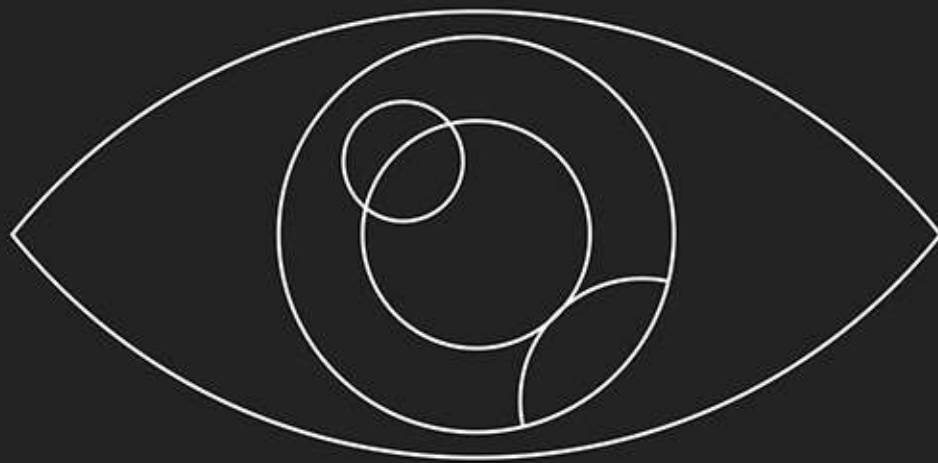


Soft

The ultimate softness.

Another realm of the light, To maintain the normal function of the light,
the comfort give you more soft and comfortable.

Let's carry the comfortable lighting through to the end.



UGR < 16

W_{LED} covers general ceiling light, wall washer and grille light luminaire, each of them is a masterpiece. Delicate texture compromises the quadruple anti-glare profound argumentation. It is as elegant, classic, smart as goddess of the comfort shoulder the maintenance of the balance between darkness and brightness.

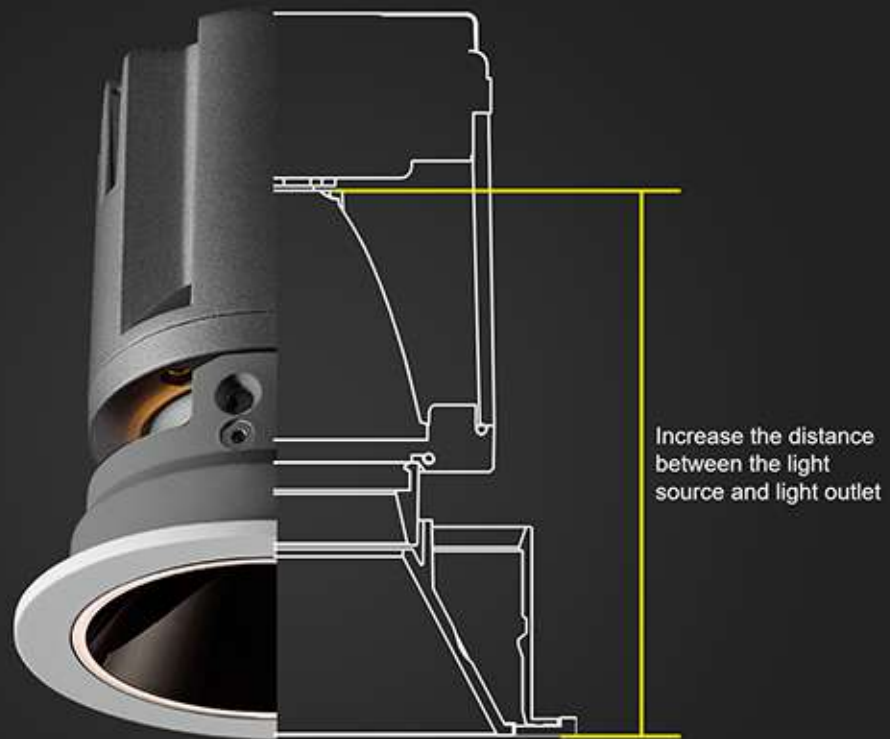


Quadruple Anti-glare profound argumentation

1st

Black Light

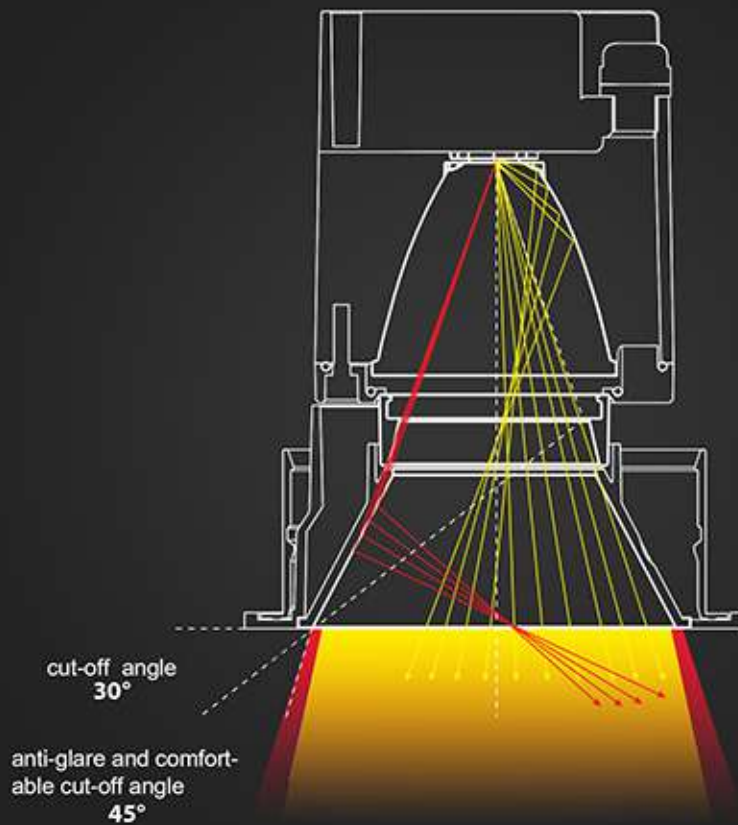
The black light technology would ensure the reflection of the LEDs and also prevent the second glare from the reflector. It is dark when the light emits, which would effectively put an end to the visual pollution from the ceiling lamp dazzle.



Quadruple Anti-glare profound argumentation

2st *Hide Light*

Increasing the distance between the light source and the light outlet would narrow down the emitting area of the light, which ensure that people cannot directly see the light in a certain field of vision to reduce the direct glare.

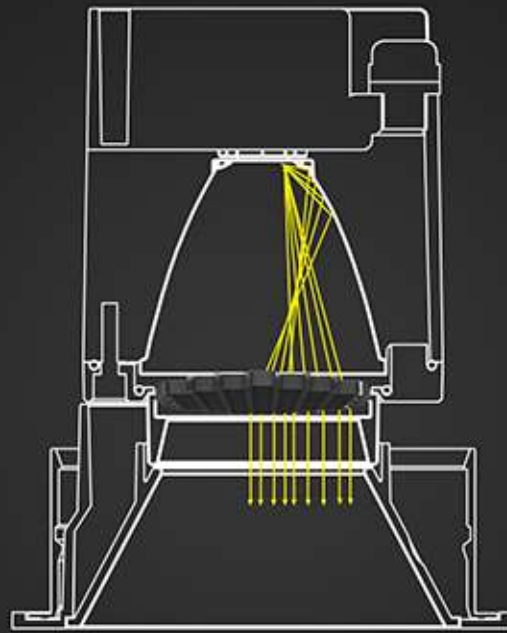


Quadruple Anti-glare profound argumentation

3st

Agglomerate Light

Comfort narrow down the light outlet with structure design and coordinate it with the soft lens, which controls the beam more accurately; Reduce the redundant beams; Focus the light and make the light distribution more uniform and active.



Quadruple Anti-glare profound argumentation

4st *Filter Light*

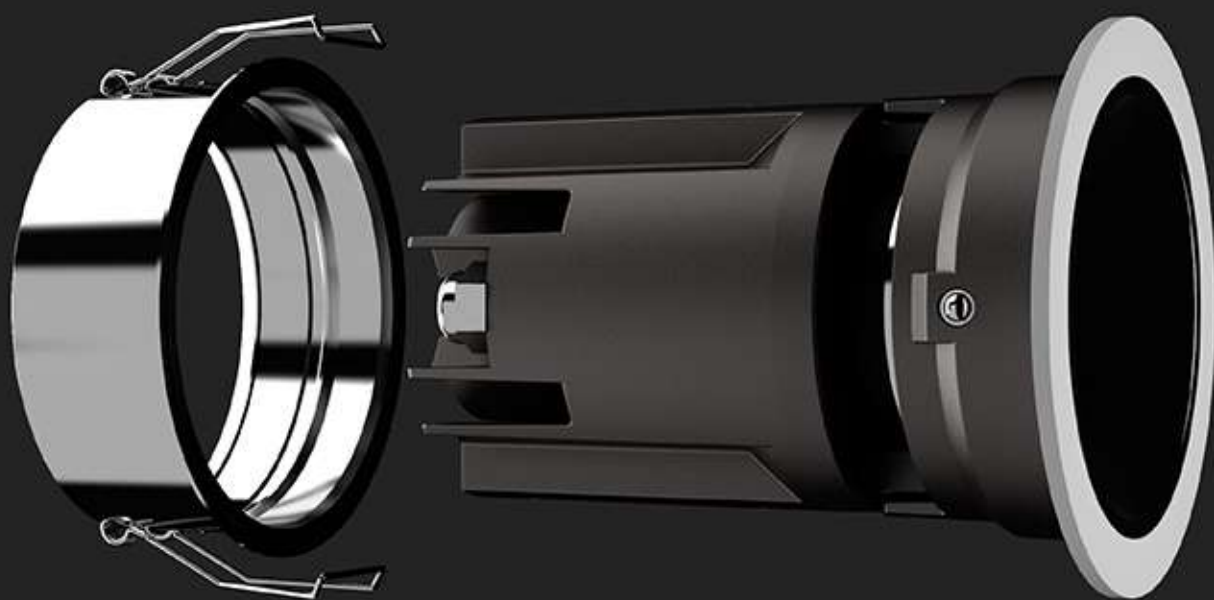
Working with honeycomb grid, Comfort divides the light into small light beams, which filter the stray light and achieve a very soft and non-glaring environment. In addition, Comfort provides various optical accessories such as color light filter, striped filter, fabric filter, frosted filter and honeycomb grids, which help to create an ideal atmosphere for hotel rooms.





Super LED Engine

Comfort super led engine not only has the ultimate anti-glare properties, high CRI(CRI>95), vortex heat sink structure, IP54 protect rate, but also matchable with eKeRi multi-functional accessories, combined into hundreds of specifications of Comfortlights to meet with the great demand of high end lighting environment.



Embedded Structure Design

Split preset design, available with both embedded installation and integrated installation. Much easier installation and maintenance, avoiding to damage the luminaire and ceiling.



Vortex Heat Dissipation Design

High-density aluminum materials with unique thermal-guiding design. Accelerate the air convection and carry out full passive heat dissipation to prolong the lifespan.



Comfort would be in perfect performance in any case resulting from adopting high quality led chips with vivid color reducibility and super high color rendering.

CRI > 95



Multi-functional Accessories

With the super engine matching multi-functional accessories, Comfort is combined into hundreds of specifications of lights.



Wallwasher

8W/12W

15° / 24° / 36°

2700K / 3000W

Cutout 75mm

CRI>95



Straight Spotlight

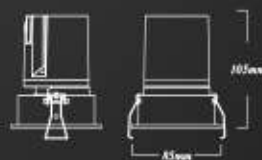
8W/12W

15° / 24° / 36°

2700K / 3000W

Cutout 75mm

CRI>95





Wallwasher

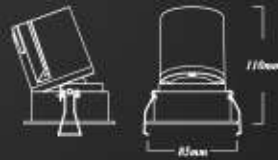
8W/12W

15° / 24°

2700K / 3000W

Cutout 75mm

CRI>95



Straight Spotlight

8W/12W

15° / 24°

2700K / 3000W

Cutout 75mm

CRI>95





Wallwasher (Trimless)

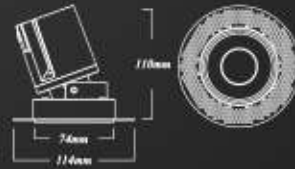
8W/12W

15° / 24° / 36°

2700K / 3000W

Cutout 80mm

CRI>95



Straight Spotlight (Trimless)

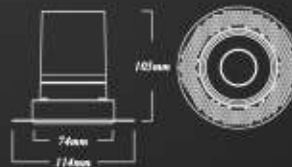
8W/12W

15° / 24° / 36°

2700K / 3000W

Cutout 75mm

CRI>95





Wallwasher (Trimless)

8W/12W

15° / 24°

2700K / 3000W

Cutout 75mm

CRI>95



Straight Spotlight (Trimless)

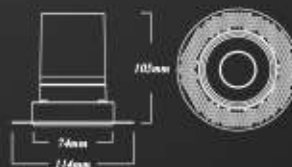
8W/12W

15° / 24°

2700K / 3000W

Cutout 75mm

CRI>95





Fixed Spotlight

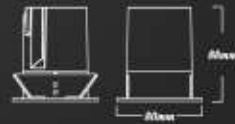
8W/12W

15° / 24° / 36°

2700K / 3000W

Cutout 65mm

CRI>95



Directional Spotlight

8W/12W

15° / 24° / 36°

2700K / 3000W

Cutout 75mm

CRI>95





Directional Spotlight

8W/12W

15° / 24°

2700K / 3000W

Cutout 75mm

CRI>95



Fixed Spotlight

8W/12W

15° / 24°

2700K / 3000W

Cutout 65mm

CRI>95





Recessed Spotlight

8W/12W

15° / 24°

2700K / 3000W

Cutout 95x95mm

CRI>95



With Anti-glare ring



Recessed Spotlight

8W/12W

15° / 24°

2700K / 3000W

Cutout 95x175mm

CRI>95





Comfort Family



Comfort Family

Comfort



Slotlaan 287-1 | 3701GH Zeist | The Netherlands

Tel:+31-306626845 | Mob:+31-649305050 | Mail: info@wkled.eu | www.wkled.eu