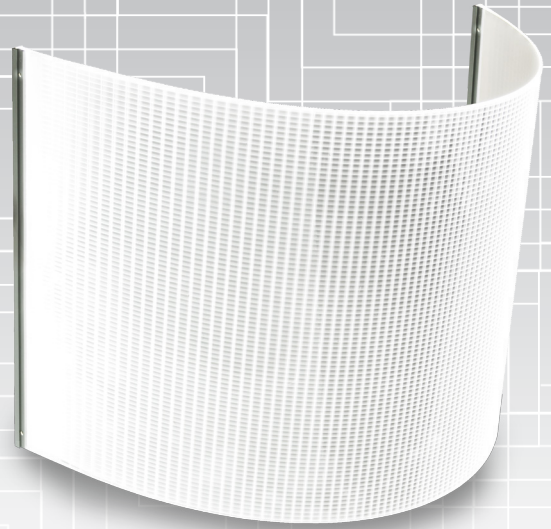


## EDGELITE FLEX

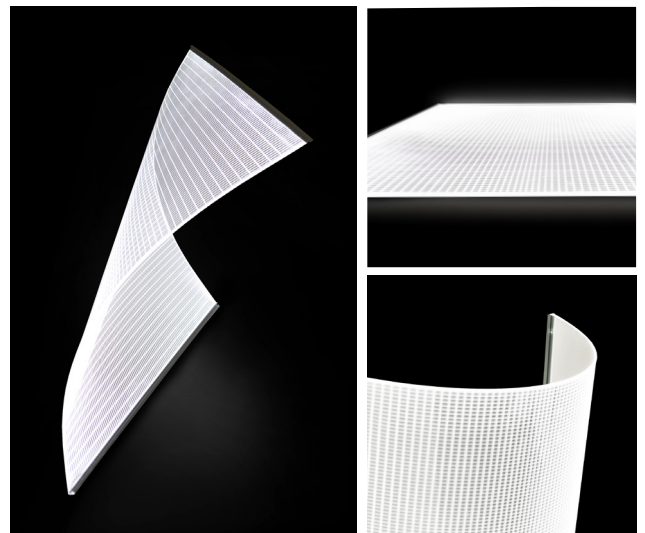
LED Light Panel



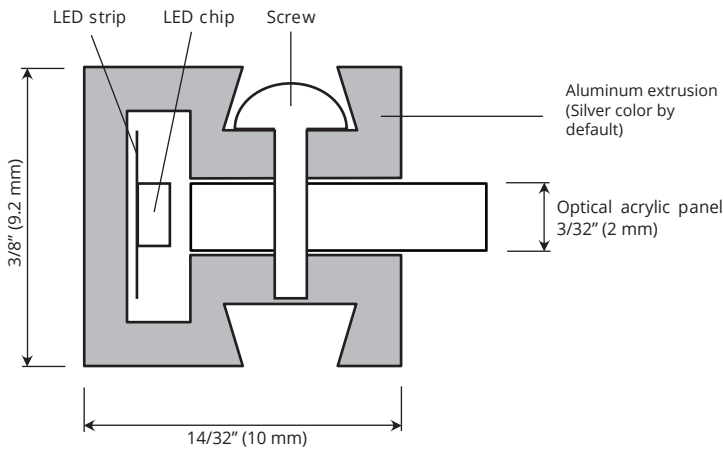
The unmatched light quality of **EDGELITE**, in a flexible, lightweight, and easy to manipulate LED light panel. The panel is only  $\frac{3}{32}$ " (2 mm) thick, with a  $\frac{3}{8}$ " (9.2 mm) aluminium extrusion. **EDGELITE FLEX** is so thin, it can curve to fit the architecture of a space. Its low weight and thickness makes shipping and installation a breeze. Plus, **EDGELITE FLEX** provides the bright, even, lasting light you'd expect from the **EDGELITE** name.

### FEATURES

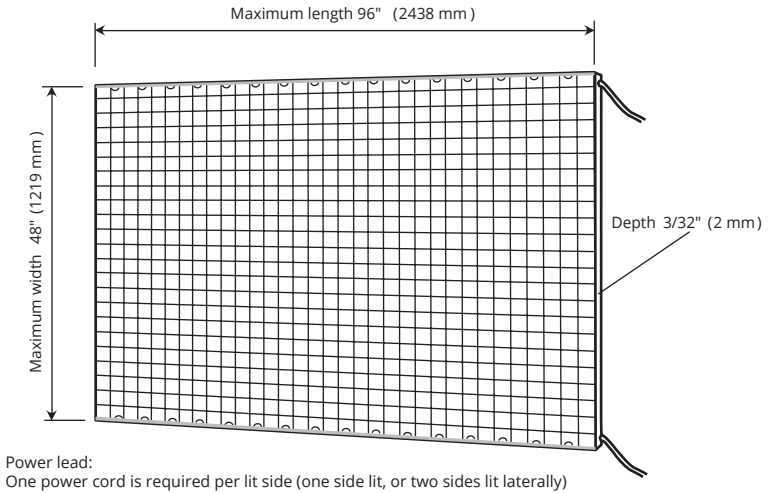
- ✓ Flexible, with the ability to curve
- ✓ Lightweight
- ✓ Available in custom sizes
- ✓ High brightness (up to 10,000 lux)
- ✓ Long LED lifespan (70,000+ hours)
- ✓ Energy saving and maintenance free (70% energy savings over traditional lighting)
- ✓ Superior consistent light quality
- ✓ Advanced 3-year warranty



## PROFILE VIEW



## FRONT VIEW



## SPECIFICATIONS

### Electrical

<b>Input Voltage</b>	24 VDC
<b>Power Consumption</b>	5.2 W/ft (standard)
<b>Wire Size</b>	20 AWG 2 wire
<b>Wiring</b>	One power cord is required per lit side with up to 2 lateral lit sides per panel. Each panel must have direct connection to power supply. Do not wire panels in series
<b>Connector</b>	2.1 / 5.5 mm barrel plug. Standard 5' (1,500 mm), optional 10' (3,000 mm)
<b>Certification</b>	UL recognized component (E362079)

### Physical

<b>Color Temperature</b>	5000 K (± 200 K) <input type="checkbox"/>
<b>Mounting</b>	Wall mounted with screws, Z-clips, U-channel, or mirror clips
<b>Operating Temperature</b>	-30 °C (-22 °F) ~ +40 °C (+104 °F)
<b>Environment</b>	Dry location only (indoor)
<b>Thickness</b>	Panel: 3/32" (2 mm) Extrusion: 3/8" (9.2 mm)
<b>Minimum Size</b>	2" W x 2" L (50 mm x 50 mm)
<b>Maximum Size</b>	48" W x 96" L (1,219 mm x 2,438 mm)
<b>Weight</b>	0.5 lbs / sq ft (0.23 kg / sq m)

## ORDER INFORMATION

Series #	Size	Color Temperature	Illuminated Face Option	Cable Length	LED Location
<b>LLX24-</b> 2 mm depth 24 V	Length x Width (inch / mm)	5000 K (± 200 K)	<b>SFI:</b> Single Face <b>DFI:</b> Double Face	<b>WL15:</b> 5' (1,500 mm) power cord with 2.1 / 5.5 mm barrel plug <b>WL30:</b> 10' (3,000 mm) power cord with 2.1 / 5.5 mm barrel plug	<b>L1:</b> LEDs along 1 long edge <b>L2:</b> LEDs along 2 long edges <b>S1:</b> LEDs along 1 short edge <b>S2:</b> LEDs along 2 short edges